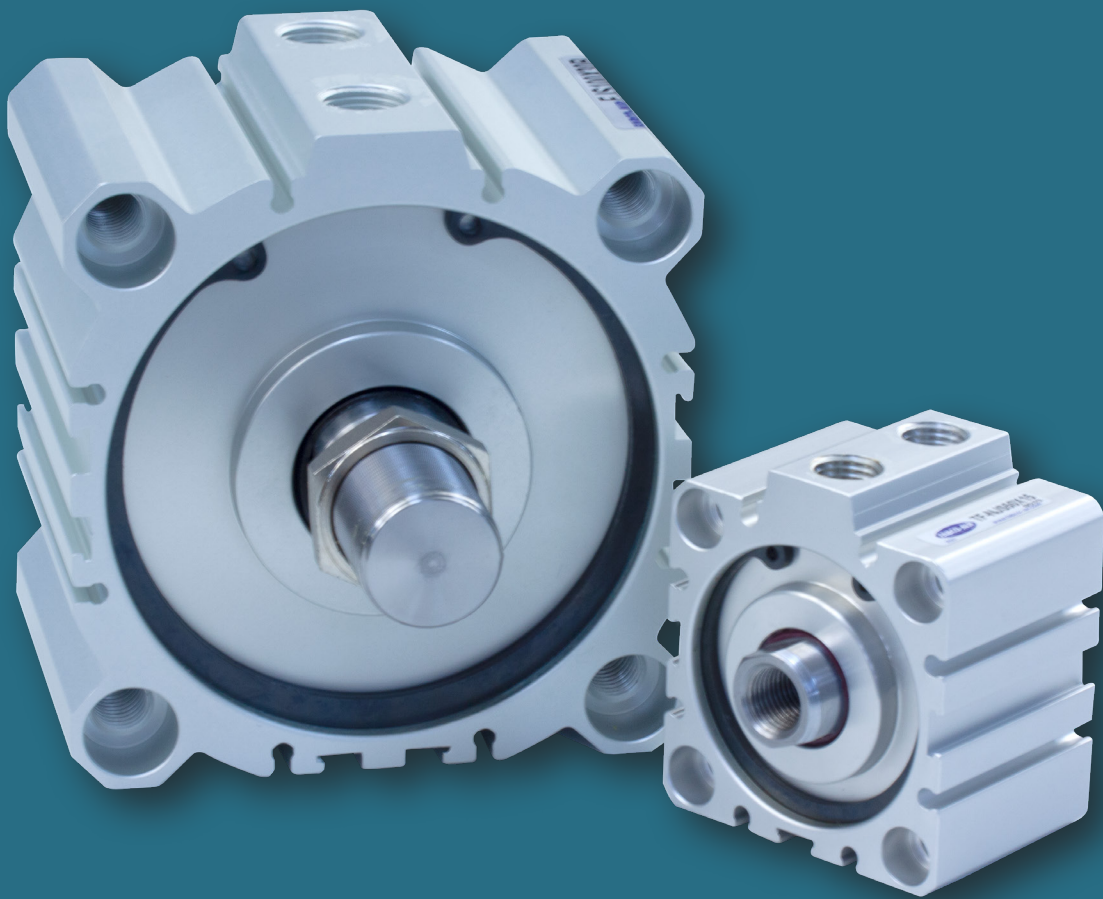


FABCO-AIR

A member of Festo Group

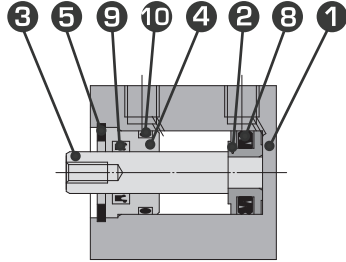
Compact Cylinder

FJS Series

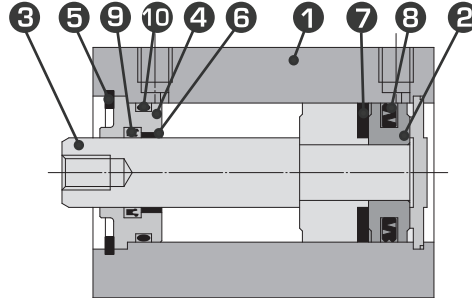


Internal construction

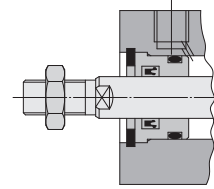
● Ø12~Ø25



● Ø32~Ø100



● Rod end male thread



Part lists

NO.	Description	Material	Note
1	Housing	Aluminium alloy	Clear Hard Anodized
2	Piston	Aluminium alloy	-
3	Piston rod	Stainless steel	Std.12-16 bore
		Carbon steel	Hard chrome - bore 20 and larger
4	Front end cover	Aluminium bearing alloy	Clear Hard Anodized
5	Snap ring	Carbon steel	Phosphate coated
6	Bush	Bushing	Bore 32mm and larger
7	Magnet	Synthetic rubber	-
8	Piston seal	NBR	-
9	Front end cover seal	NBR	-
10	End cover seal	NBR	-

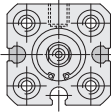
Seal Kits

Bore	Buna	Viton
Ø12	FJS12-SK	FJS12-SKV
Ø16	FJS16-SK	FJS16-SKV
Ø20	FJS20-SK	FJS20-SKV
Ø25	FJS25-SK	FJS25-SKV
Ø32	FJS32-SK	FJS32-SKV
Ø40	FJS40-SK	FJS40-SKV
Ø50	FJS50-SK	FJS50-SKV
Ø63	FJS63-SK	FJS63-SKV
Ø80	FJS80-SK	FJS80-SKV
Ø100	FJS100-SK	FJS100-SKV

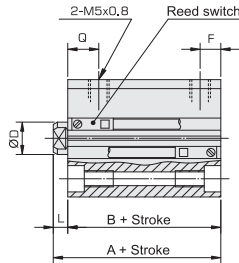
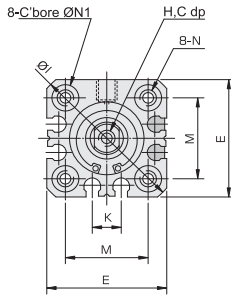
External dimensions

● Standard type

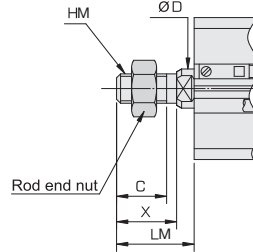
● Ø12



● Ø16



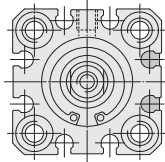
● Rod end male thread



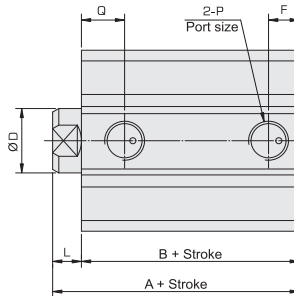
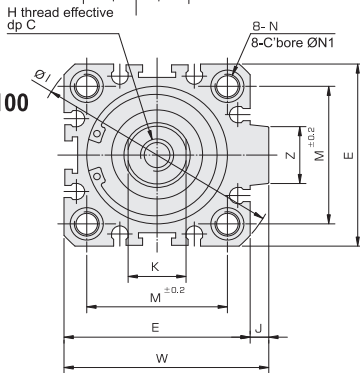
● Rod end male thread Unit: inch or mm

Bore (mm)	C	X	ØD	HM	LM
Ø12	10.5	12	6	M5 X 0.8	14
Ø16	10	12	8	M6 X 1.0	15.5
Ø20	12	14	10	M8 X 1.25	18.5
Ø25	16	18	12	M10 X 1.25	23
Ø32	20.5	23.5	16	5/16-24 or M14 X 1.5	28.5
Ø40	20.5	23.5	16	3/8-24 or M14 X 1.5	28.5
Ø50	26	28.5	20	1/2-20 or M18 X 1.5	33.5
Ø63	26	28.5	20	1/2-20 or M18 X 1.5	33.5
Ø80	32.5	35.5	25	5/8-18 or M22 X 1.5	43.5
Ø100	32.5	35.5	30	3/4-16 or M26 X 1.5	43.5

● Ø20~Ø25



● Ø32~Ø100



***Port Size Offerings**
see dim Column "P" below

N - NPT Ports, inch rod thread

G - BSP parallel ports, metric rod thread

P - BSPT taper ports, metric rod thread

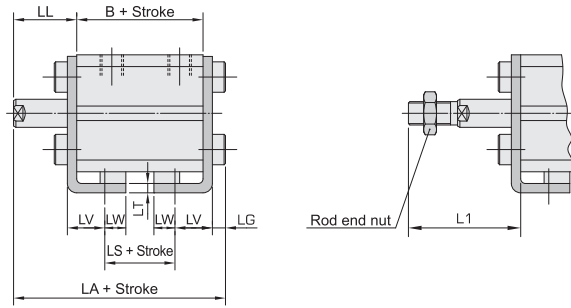
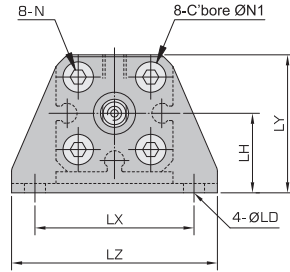
Note: M5 x 0.8 port will accept #10-32 male thread fittings.

Bore (mm)	Stroke (mm)	Standard		Magnetic		C	ØD	E	F	H	ØI	J	K	L	M	N	ØN1	*P	Q	W	Z
		A	B	A	B																
Ø12	5-30	20.5	17	25.5	22	8	6	25	5	M3 X 0.5	32	-	5	3.5	15.5	M4 X 0.7	6.5 dp4	M5X0.8	7.5	-	-
Ø16	5-30	20.5	17	25.5	22	8	8	29	5	M4 X 0.7	38	-	6	3.5	20	M4 X 0.7	6.5 dp4	M5X0.8	7.5	-	-
Ø20	5-50	24	19.5	34	29.5	10	10	36	5.5	M5 X 0.8	47	-	8	4.5	25.5	M6 X 1.0	9 dp7	M5X0.8	9	-	-
Ø25	5-50	27.5	22.5	37.5	32.5	12	12	40	5.5	M6 X 1.0	52	-	10	5	28	M6 X 1.0	9 dp7	M5X0.8	11	-	-
Ø32	5	30	23	40	33	16	16	45	5	5/16-24 or M8 X 1.25	60	4.5	14	7	34	1/4-20 or M6 X 1.0	9 dp7	M5X0.8	12.5	49.5	14
	10-100	40	33						7.5										10.5		
Ø40	5-50	36.5	29.5	46.5	39.5	16	16	52	8	3/8-24 or M8 X 1.25	69	5	14	7	40	1/4-20 or M6 X 1.0	9 dp7	1/8*	11	57	15
	75-100	46.5	39.5																		
Ø50	10-50	38.5	30.5	48.5	40.5	20	20	64	10.5	1/2-20 or M10 X 1.5	86	7	17	8	50	5/16-18 or M8 X 1.25	11 dp8	1/4*	10.5	71	19
	75-100	48.5	40.5																		
Ø63	10-50	44	36	54	46	20	20	77	10.5	1/2-20 or M10 X 1.5	103	7	17	8	60	7/16-14 or M10 X 1.5	14 dp10.5	1/4*	15	84	22
	75-100	54	46																		
Ø80	10-50	53.5	43.5	63.5	53.5	21	25	98	12.5	5/8-18 or M16 X 2.0	130	6	22	10	77	1/2-13 or M12 X 1.75	17.5 dp13.5	3/8*	16	104	26
	75-100	63.5	53.5																		
Ø100	10-50	65	53	75	63	27	30	117	15	3/4-16 or M20 X 2.5	156	6.5	27	12	94	1/2-13 or M12 X 1.75	17.5 dp13.5	3/8*	23	123.5	26
	75-100	75	63																		

External dimensions

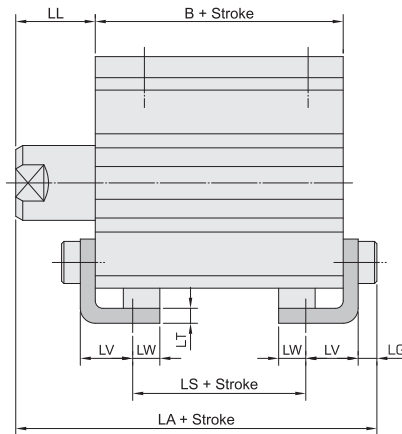
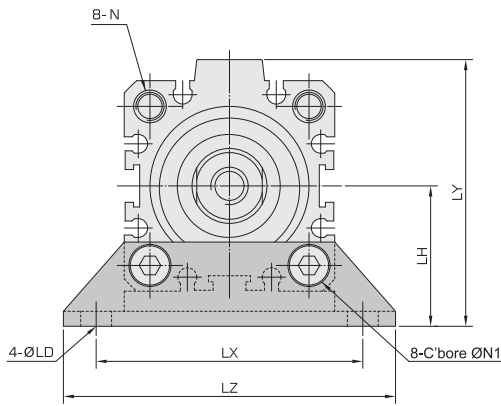
● **Foot mounting (LB)**

● **Ø12~Ø25**



● **Rod end male thread**

● **Ø32~Ø100**

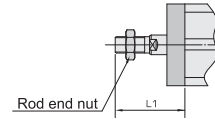
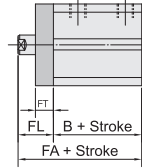
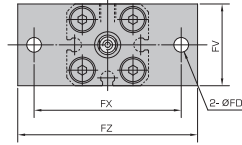


Bore (mm)	Stroke (mm)	Standard			Magnetic			LL	L1	N	ØN1	LV	LW	ØLD	LG	LH	LT	LX	LY	LZ
		LA	B	LS	LA	B	LS													
Ø12	5-30	35.3	17	5	40.3	22	10	13.5	24	M4 X 0.7	6.5 dp4	8	4.5	4.5	2.8	17	2	34	29.3	44
Ø16	5-30	35.3	17	5	40.3	22	10	13.5	25.5	M4 X 0.7	6.5 dp4	8	5	4.5	2.8	19	2	38	33.3	48
Ø20	5-50	41.2	19.5	7.5	51.2	29.5	17.5	14.5	28.5	M6 X 1.0	9 dp7	9.2	5.8	6.6	4	24	3.2	48	41.8	62
Ø25	5-50	44.7	22.5	7.5	54.7	32.5	17.5	15	33	M6 X 1.0	9 dp7	10.7	5.8	6.6	4	26	3.2	52	45.7	66
Ø32	5	47.2	23	7	57.2	33	17	17	38.5	1/4-20 or M6 X 1.0	9 dp7	11.2	5.8	6.6	4	30	3.2	57	57	71
	10-100	57.2	33	17																
Ø40	5-50	53.7	29.5	13.5	63.7	39.5	23.5	17	38.5	1/4-20 or M6 X 1.0	9 dp7	11.2	7	6.6	4	33	3.2	64	64	78
	75-100	63.7	39.5	23.5																
Ø50	10-50	56.7	30.5	7.5	66.7	40.5	17.5	18	43.5	5/16-18 or M8 X 1.25	11 dp8	14.7	8	9	5	39	3.2	79	78	95
	75-100	66.7	40.5	17.5																
Ø63	10-50	62.2	36	10	72.2	46	20	18	43.5	7/16-14 or M10 X 1.5	14 dp10.5	16.2	9	11	5	46	3.2	95	91.5	113
	75-100	72.2	46	20																
Ø80	10-50	75	43.5	13.5	85	53.5	23.5	20	53.5	1/2-13 or M12 X 1.75	17.5 dp13.5	19.5	11	13	7	59	4.5	118	114	140
	75-100	85	53.5	23.5																
Ø100	10-50	88	53	19	98	63	29	22	53.5	1/2-13 or M12 X 1.75	17.5 dp13.5	23	12.5	13	7	71	6	137	136	162
	75-100	98	63	29																

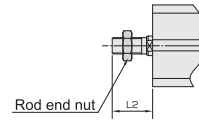
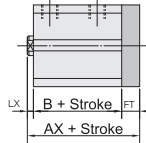
External dimensions

● **Front flange mounting type (FA/FB)**

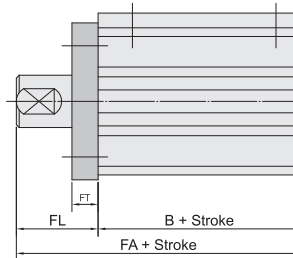
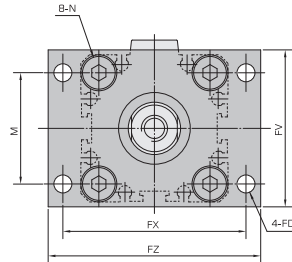
● **Ø12~Ø25**



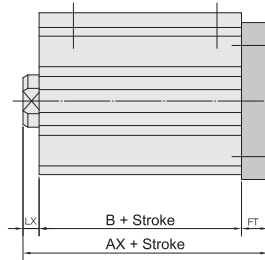
● **Rear flange mounting type (FB)**



● **Ø32~Ø100**



● **Rear flange mounting type (FB)**

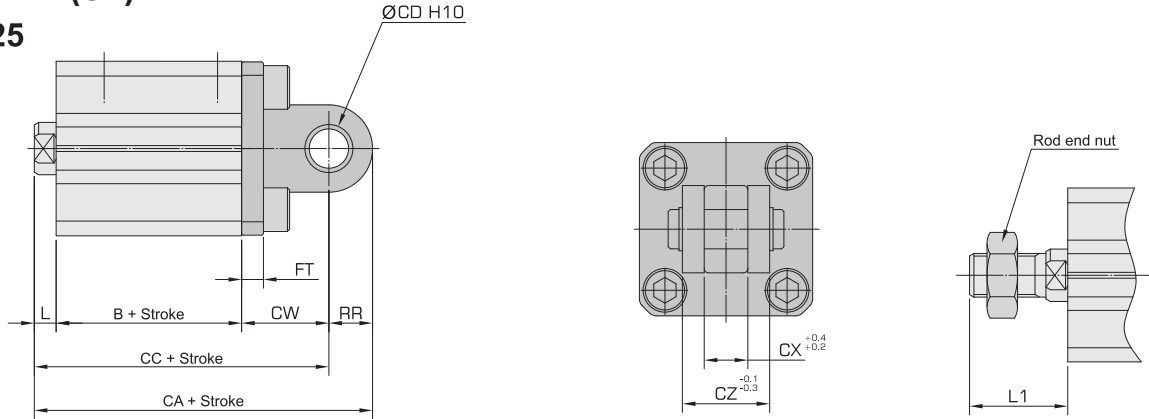


Bore (mm)	Stroke (mm)	Standard			Magnetic			FL	LX	N	ØFD	FT	FV	FX	FZ	L1	L2	M
		FA	B	AX	FA	B	AX											
Ø12	5-30	30.5	17	26	35.5	22	31	13.5	3.5	M4 X 0.7	4.5	5.5	25	45	55	24	14	-
Ø16	5-30	30.5	17	26	35.5	22	31	13.5	3.5	M4 X 0.7	4.5	5.5	30	45	55	25.5	15.5	-
Ø20	5-50	34	19.5	32	44	29.5	42	14.5	4.5	M6 X 1.0	6.6	8	39	48	60	28.5	18.5	-
Ø25	5-50	37.5	22.5	35.5	47.5	32.5	45.5	15	5	M6 X 1.0	6.6	8	42	52	64	33	23	-
Ø32	5	40	23	38	50	33	48	17	7	1/4-20 or M6 X 1.0	5.5	8	48	56	65	38.5	28.5	34
	10-100	50	33	48														
Ø40	5-50	46.5	29.5	44.5	56.5	39.5	54.4	17	7	1/4-20 or M6 X 1.0	5.5	8	54	62	72	38.5	28.5	40
	75-100	56.5	39.5	54.5														
Ø50	10-50	48.5	30.5	47.6	58.5	40.5	57.5	18	8	5/16-18 or M8 X 1.25	6.6	9	67	76	89	43.5	33.5	50
	75-100	58.5	40.5	57.5														
Ø63	10-50	54	36	53	64	46	63	18	8	7/16-14 or M10 X 1.5	9	9	80	92	108	43.5	33.5	60
	75-100	64	46	63														
Ø80	10-50	63.5	43.5	64.5	73.5	53.5	74.5	20	10	1/2-13 or M12 X 1.75	11	11	99	116	134	53.5	43.5	77
	75-100	73.5	53.5	74.5														
Ø100	10-50	75	53	76	85	63	86	22	12	1/2-13 or M12 X 1.75	11	11	117	136	154	53.5	43.5	94
	75-100	85	63	86														

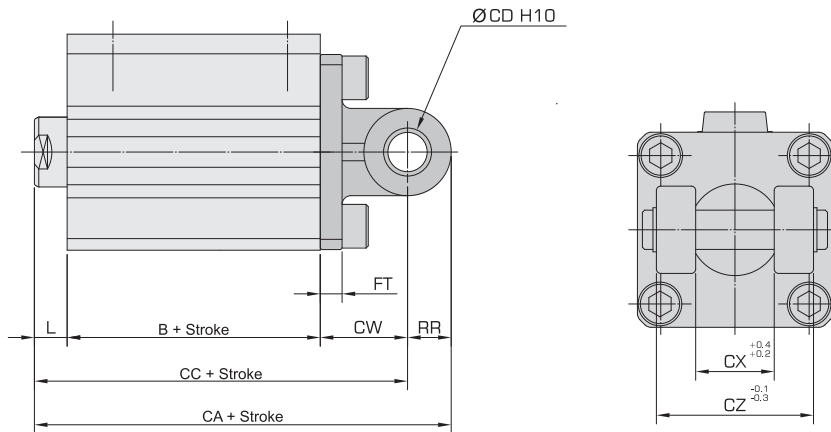
External dimensions

● **Rear clevis (CB)**

● **Ø12~Ø25**



● **Ø32~Ø100**



Bore (mm)	Stroke (mm)	Standard			Magnetic			CD	CW	CX	CZ	FT	L	L1	RR
		CA	B	CC	CA	B	CC								
Ø12	5-30	40.5	17	34.5	45.5	22	39.5	5	14	5	10	4	3.5	14	6
Ø16	5-30	41.5	17	35.5	46.5	22	40.5	5	15	6.5	12	4	3.5	15.5	6
Ø20	5-50	51	19.5	42	61	29.5	52	8	18	8	16	5	4.5	18.5	9
Ø25	5-50	57.5	22.5	47.5	67.5	32.5	57.5	10	20	10	20	5	5	23	10
Ø32	5	60	23	50	70	33	60	10	20	18	36	5	7	28.5	10
	10-100	70	33	60											
Ø40	5-50	68.5	29.5	58.5	78.5	39.5	68.5	10	22	18	36	6	7	28.5	10
	75-100	78.5	39.5	68.5											
Ø50	10-50	80.5	30.5	66.5	90.5	40.5	76.5	14	28	22	44	7	8	33.5	14
	75-100	90.5	40.5	76.5											
Ø63	10-50	88	36	74	98	46	84	14	30	22	44	8	8	33.5	14
	75-100	98	46	84											
Ø80	10-50	109.5	43.5	91.5	119.5	53.5	101.5	18	38	28	56	10	10	43.5	18
	75-100	119.5	53.5	101.5											
Ø100	10-50	132	53	110	142	63	120	22	45	32	64	13	12	43.5	22
	75-100	142	63	120											